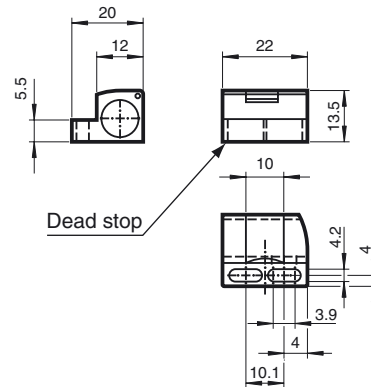




**Dimensions**



**Model Number**

**BF 8-F**

Plastic mounting adapter, 8 mm

**Features**

- For mounting cylindrical sensors with metal thread
- Secure mounting of the sensor via a snap lock
- Installation position defined by fixed stop
- Adjustable via slot mounting

**Technical data**

**General specifications**

Inside diameter 8 mm

**Ambient conditions**

Ambient temperature -25 ... 85 °C (-13 ... 185 °F)

**Mechanical specifications**

Material black polycarbonate (PC)

Construction type For sensors with 45° chamfer

**Note**

**Installation**

- Position the mounting bracket on the desired place
- Mark the position of drilling holes in the mid section of the oblong holes
- Drill the mounting holes through the surface
- Screw on the mounting bracket slightly via the lateral oblong holes by using suitable M4 screws
- Stick the sensor through the mounting bracket and fix the sensor by the lid on the upper part of the bracket
- Adjust the bracket and make the final positioning
- Fix the mounting bracket finally with the screws

Release date: 2018-03-22 11:55 Date of issue: 2018-04-03 187004\_eng.xml